



Inspiring Elegant Lifestyle



KITCHEN SINK  
SANITARY WARE  
FAUCET

# apex

HAND CARVED SERIES

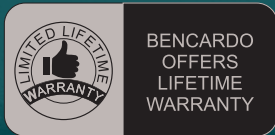
A new Apex family of Bencardo kitchen sinks is known for sturdy construction and excellent quality. Handcrafted from premium 18 gauge T-304 stainless steel, this sink suits any decor style, from the traditional to the modern kitchen. The extra-deep basin easily accommodates your largest cookware, including baking sheets and stockpots. Commercial grade finish protects the surface from rust and oxidation, with a neutral color to match all kitchen appliances. Gently curved corners are easy to clean and offer a stylish look for the modern kitchen. For a quieter kitchen experience, Noise Defend soundproofing eliminates noise and vibration when the sink is in use.

## Features

- Stainless steel finish
- Unique R-10 curved corners for easy cleaning and a stylish look
- Premium T-304 Stainless Steel Construction having 18/8 chromium/ Nickel content that protects against corrosion & rust.
- Sound Insulated with Thick Rubber Dampening Pads & Stone Guard Undercoating
- Channel Grooves Engineered for Optimal Drainage
- 18-Gauge Steel for Added Durability
- Handcrafted by Skilled Artisans
- Commercial-Grade Satin Finish is Scratch and Stain-Resistant
- Extra-Deep Double-Bowl Design with Gently Rounded Corners for Easy Maintenance
- All Mounting Hardware Included
- Limited Lifetime Warranty
- Codes/Standards: Meets ASME A112.19.3/CSA B45.4







Guaranteed for life:  
Bencardo Kitchen Sinks are warranted against any manufacturing defect for a period of 25 years giving you a hassle free experience for a life time.



Bencardo Apex kitchen sinks is known for sturdy construction and excellent quality. Handcrafted from premium 18 gauge T-304 stainless steel, this sink suits any decor style, from the traditional to the modern kitchen.



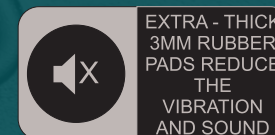
Manufactured from T-304 premium-grade stainless steel, Bencardo Apex Sinks have an 18/8 Chromium/Nickel content to protect against corrosion & rust.



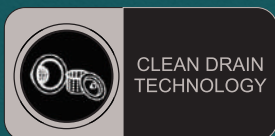
Bencardo Apex Kitchen Sinks uses 1.2mm to 1.5mm thick steel for all its hand crafted sinks, which makes the sink less vulnerable to denting or bending stands up to heavy daily use.



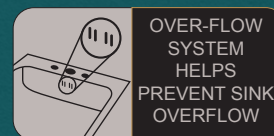
Commercial-grade undercoating provides an extra level of soundproofing and protects the sink from condensation buildup



Bencardo Apex Sinks having extra thick rubber dampening pads which absorb noise and vibration while the sink is in use for a quieter user experience.



Specially designed 3 piece T-304 stainless steel coupling fitted with an easily removable clean drain bin, filters out the solid residue (food waste, vegetables, any leftover solid waste) effectively and helps to maintain a cleaner sink after every use.



As an additional line of protection against damage, the new over-Flow system is especially effective in domestic environment. The over-Flow system helps prevent sink overflow incidents and potential multi-level flooding.



- 1** Cardboard Box  
Extra\_Tough 5-Ply Corrugated Carton Adds An Extra Layer of Protection For the Sink
- 2** Polystyrene Foam  
Absorbs Shock & Vibration to Protect against Damage  
Custom-Molded to Cushion Sink against Impact  
Stop Sink From Shifting in Package to Prevent Scratches & Scuffs
- 3** Non-Woven Cloth Bag  
Flexible & Water-Resistant Material



Innovative design with traditional excellence.



Greater functionality, usability and durability.



The exposed surfaces are handblended to a lustrous highlighted satin finish.



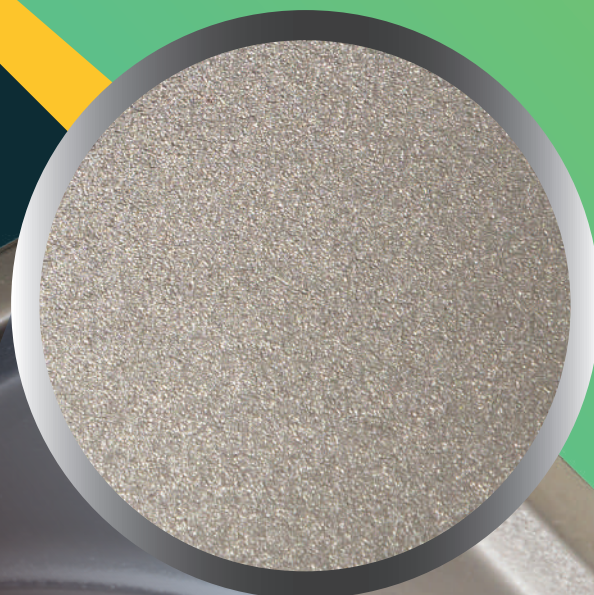
Sound absorbing pads reduce the vibration and sound.



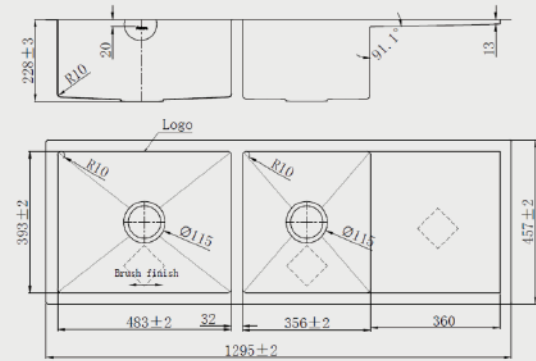
Oulin undercoating solution to protect the sink from wet-rotted situation.

 **Looks Newer Longer**  
Textured matt surface with high wear points stands the test of time without losing its sheen, preventing damage that could age your sink. To keep your sink clean, simply wipe with a damp cloth.

Inspiring Elegant Life Style...

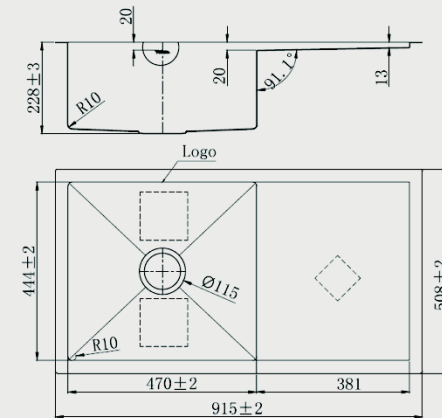


Nesta  
B-5118



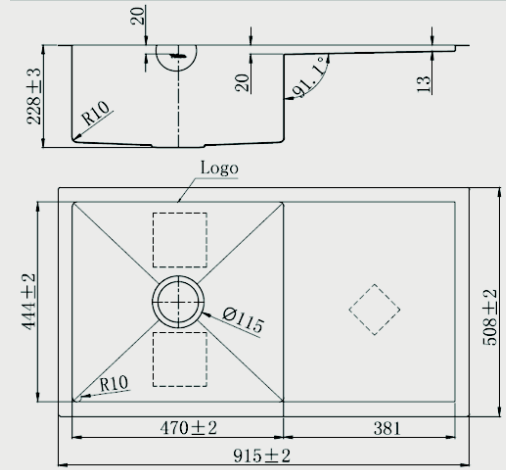
Model Name	Finish	CAT ID	Overall Size(LxWxD)mm	Bowl Size (AxB)	MRP
Nesta-51x19x9	Brush	B-511809	1295x485x230	17x18	
Nesta-47x19x9	Brush	B-471909	1195x485x230	16x18	

Eden  
B-3620



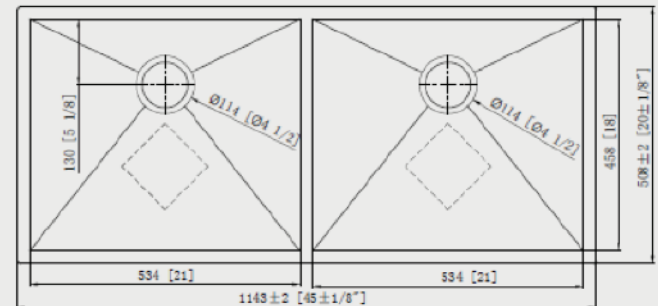
Model Name	Finish	CAT ID	Overall Size(LxWxD)mm	Bowl Size (AxB)	MRP
Eden-36x20x9	Brush	B-362009	915x508x230	20x18	
Eden-45x20x9	Brush	B-452009	1145x508x230	24x18	

**Cube**  
B-2418



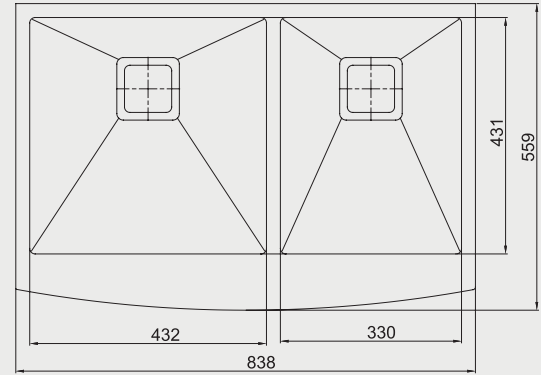
Model Name	Finish	CAT ID	Overall Size(LxWxD)mm	Bowl Size (AxB)	MRP
Cube-18x16x9	Brush	B-181609	460x405x230	17x14	
Cube-24x18x9	Brush	B-241809	610x460x230	22x17	

**Eva**  
B-4520



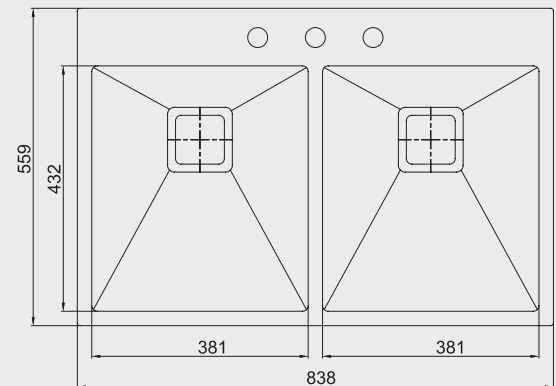
Model Name	Finish	CAT ID	Overall Size(LxWxD)mm	Bowl Size (AxB)	MRP
Eva-45x20x9	Brush	B-452009	1140x508x230		

**Polly**  
B-2110



Model Name	Finish	CAT ID	Overall Size (LxWxD)mm	Bowl Size (AxB)	MRP
Polly-34X23X09	Brush	B-342309	838x560x230	18x14	

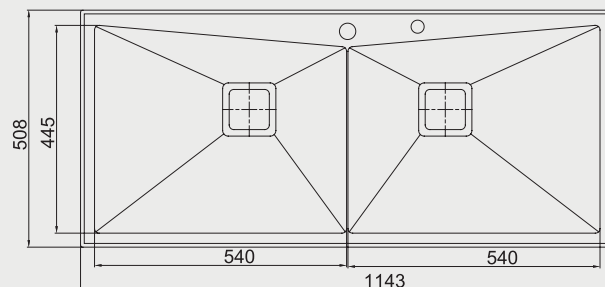
**Axel**  
B-2112



Model Name	Finish	CAT ID	Overall Size (LxWxD)mm	Bowl Size (AxB)	MRP
Axel-34x23x09	Brush	B-342309A	838x560x230	16x16	



Aiden  
B-2210



Model Name	Finish	CAT ID	Overall Size(LxWxD)mm	Bowl Size (AxB)	MRP
Aiden-16x20x9	Brush	B-462009	1143x508x230	22x22	

### CARE & CLEANING OF STAINLESS STEEL SINKS

- Rinse and wipe down your sinks after use.
- Once each week, use mild bleach free cleaner to wipe your sinks.
- Keep the Sink Lamination intact till the entire installation phase to avoid any surface damage.
- Do not use any metal scouring pad on your sink causes rust and scratches.
- Avoid placing a rubber mat on your sink bottom.
- For sanitation purposes, we recommend regularly disinfecting your sink with a light bleach solution

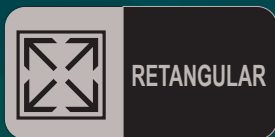
# Precision Series

## Pressed Kitchen Sink

Enjoy the advantage of sinks built to suit any style and any budget. Constructed from Premium T-201/T-304 stainless steel for maximum durability and affordability. Precision Series Sinks offer lasting functionality and exceptional value of money. Multiple configurations provide the flexibility to create a versatile kitchen workspace.

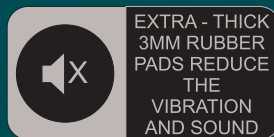






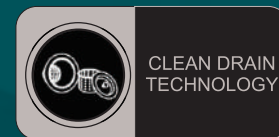
**RETANGULAR**

Deeper bowl with rectangular shape provides deep and large enough space to wash any utensils.



**EXTRA - THICK  
3MM RUBBER  
PADS REDUCE  
THE  
VIBRATION  
AND SOUND**

Bencardo Precision Sinks having extra thick rubber dampening pads which absorb noise and vibration while the sink is in use for a quieter user experience.



**CLEAN DRAIN  
TECHNOLOGY**

Specially designed 3 piece T-304 stainless steel coupling fitted with an easily removable clean drain bin, filters out the solid residue (food waste, vegetables, any leftover solid waste) effectively and helps to maintain a cleaner sink after every use



**DURABLE 1.2mm  
STEEL  
CONSTRUCTION**

(19G) thick steel Bencardo Precision Kitchen Sinks uses 0.8mm to 1.0 mm thick steel for all its Pressed sinks, which makes the sink less vulnerable to denting or bending stands up to heavy daily use..



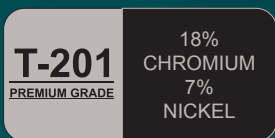
**STONE  
GUARD  
COATING**

Commercial-grade undercoating provides an extra level of soundproofing and protects the sink from condensation buildup



**BENCARDO  
OFFERS  
LIFETIME  
WARRANTY**

Guaranteed for life : Bencardo Kitchen Sinks are warranted against any manufacturing defect for a period of 25 years giving you a hassle free experience for a life time.



**18%  
CHROMIUM  
7%  
NICKEL**

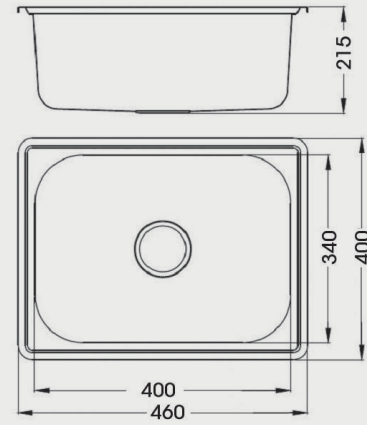
Manufactured from T-201 premium-grade stainless steel, Bencardo Precision Sinks have an 18/7 Chromium/ Nickel content to protect against corrosion & rust.



**18%  
CHROMIUM 8%  
NICKEL  
COMPOSITION**

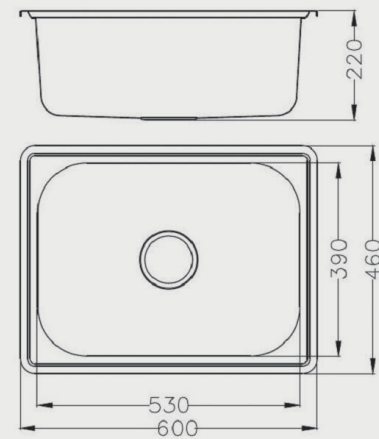
Manufactured from T-304 premium-grade stainless steel, Bencardo Precision Sinks have an 18/8 Chromium/ Nickel content to protect against corrosion & rust.

**Nova**  
B-4640



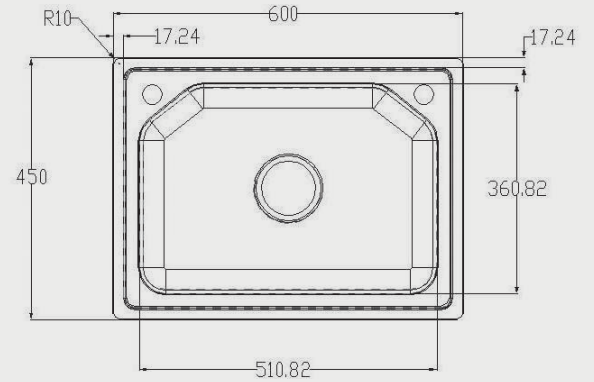
Model Name	Finish	CAT ID	Overall Size (LxWxD)mm	MRP
Nova-18x16x9	Brush	B-181609	460x400x215	
Nova-18x16x9	Matt	B-181609M	460x400x215	

**Geo**  
B-6046



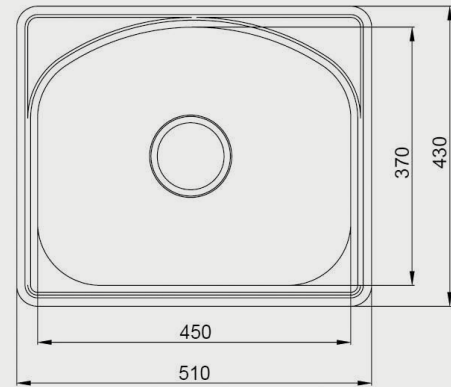
Model Name	Finish	CAT ID	Overall Size (LxWxD)mm	MRP
Geo-24x18x9	Brush	B-241809	460x600x220	
Geo-24x18x9	Matt	B-241809M	460x600x220	

**Czer**  
B-6045



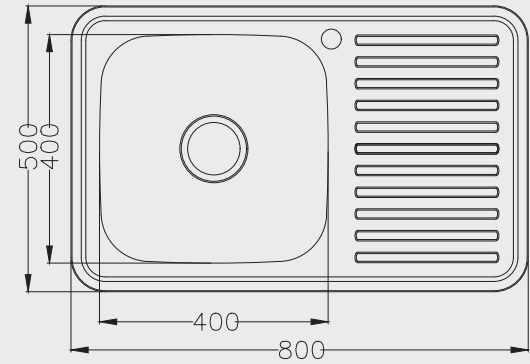
Model Name	Finish	CAT ID	Overall Size(LxWxD)mm		MRP
Czer-24x18x9	Brush	C-241809	460x600x220		
Czer-24x18x9	Matt	C-241809M	460x600x220		

**Amor**  
B-5143



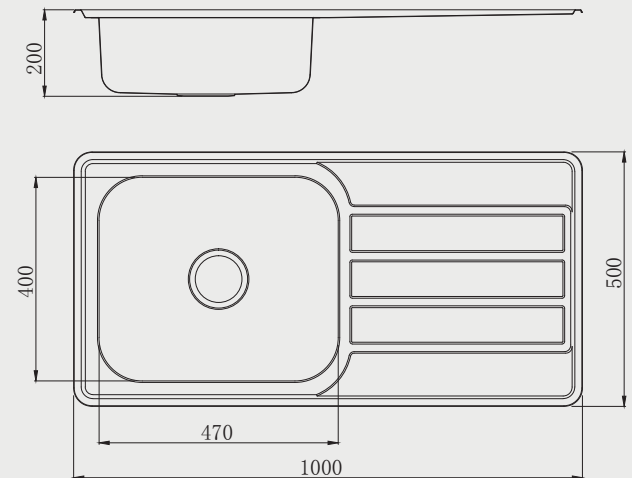
Model Name	Finish	CAT ID	Overall Size(LxWxD)mm		MRP
Amor-20x18x9	Brush	B-201809	510x430x220		
Amor-20x18x9	Matt	B-201809M	510x430x220		

**Verna**  
B-8050A



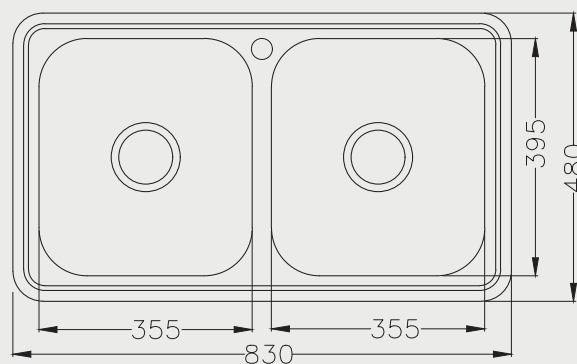
Model Name	Finish	CAT ID	Overall Size (LxWxD)mm	MRP
Verna-32x20x8	Brush	B-322008	800x500x190	
Verna-32x20x8	Matt	B-322008M	800x500x190	

**Sunny**  
B-10050



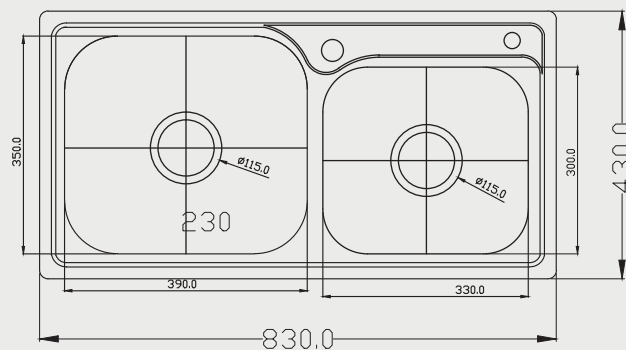
Model Name	Finish	CAT ID	Overall Size (LxWxD)mm	MRP
Sunny-40x20x8	Brush	B-402008	1000x500x200	
Sunny-40x20x8	Matt	B-402008M	1000x500x200	

Angel  
B-8348



Model Name	Finish	CAT ID	Overall Size(LxWxD)mm		MRP
Angel-34x20x9	Brush	B-342009	830x480x230		
Angel-34x20x9	Matt	B-342009M	830x480x230		

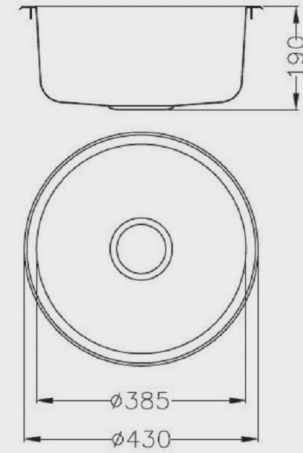
Blu  
B-8343



Model Name	Finish	CAT ID	Overall Size(LxWxD)mm		MRP
Blu-34x18x9	Brush	B-341809	830x430x230		
Blu-34x18x9	Matt	B-341809M	830x430x230		

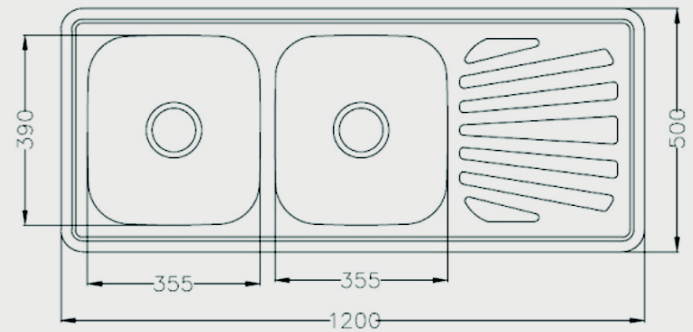


**Oreo**  
B-430



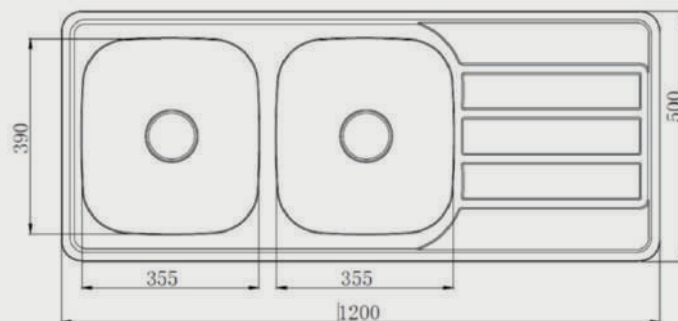
Model Name	Finish	CAT ID	Overall Size (LxWxD)mm		MRP
Oreo-18x18x8	Brush	B-181808	430x430x190		
Oreo-18x18x8	Matt	B-181808M	430x430x190		

**Misty**  
B-4820



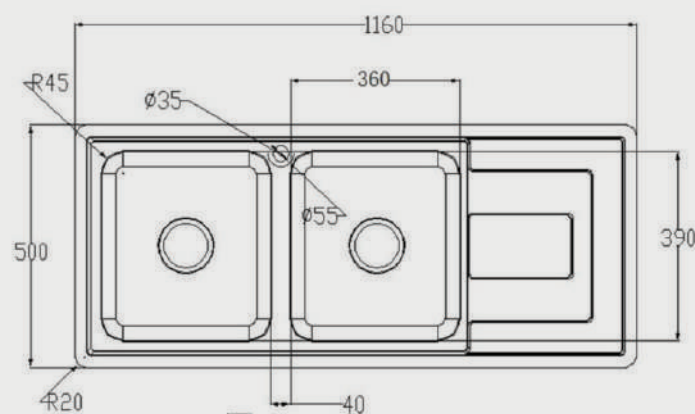
Model Name	Finish	CAT ID	Overall Size (LxWxD)mm		MRP
Misty-48x20x9	Brush	B-482009	1200x500x230		
Misty-48x20x9	Matt	B-482009M	1200x500x230		

Gizmo  
B-4820A



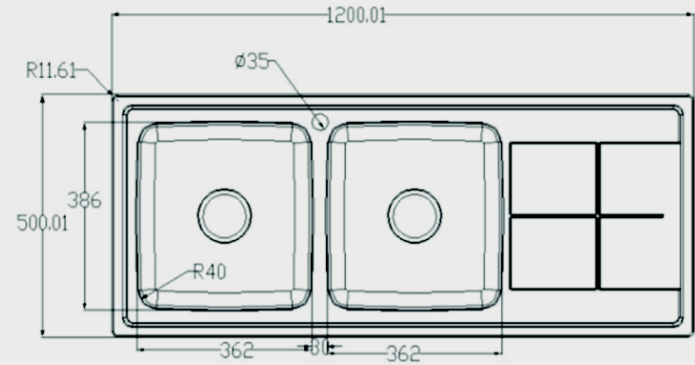
Model Name	Finish	CAT ID	Overall Size(LxWxD)mm	MRP
Gizmo-48x20x9	Brush	B-482009A	1200x500x230	
Gizmo-48x20x9	Matt	B-482009AM	1200x500x230	

Rio  
B-4620



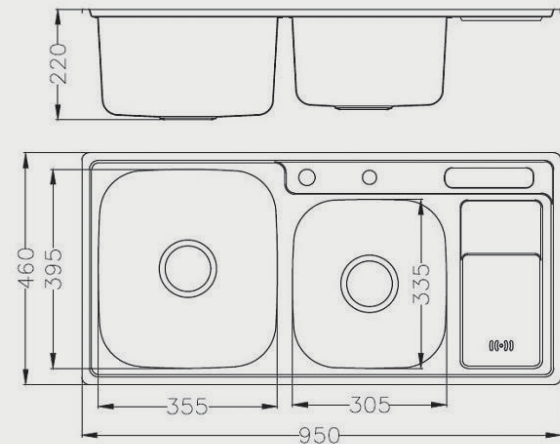
Model Name	Finish	CAT ID	Overall Size(LxWxD)mm	MRP
Rio-46x20x9	Brush	B-462009	1160x500x230	
Rio-46x20x9	Matt	B-462009M	1160x500x230	

**Indy**  
B-4820B



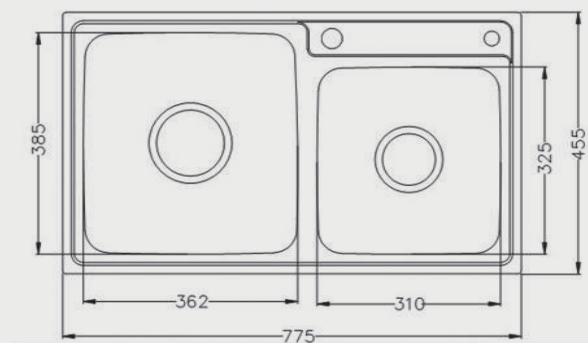
Model Name	Finish	CAT ID	Overall Size (LxWxD)mm	MRP
Indy-48x20x9	Brush	B-482009	1200x500x230	
Indy-48x20x9	Matt	B-482009M	1200x500x230	

**Coco**  
B-3819



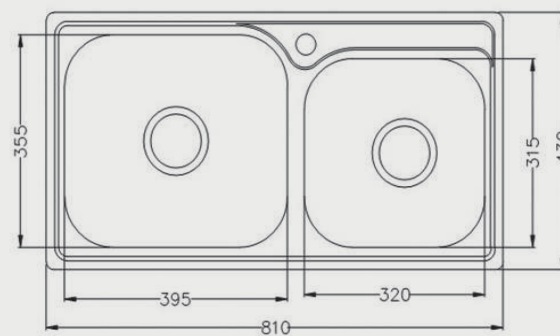
Model Name	Finish	CAT ID	Overall Size (LxWxD)mm	MRP
Coco-38x19x9	Brush	B-381909	950x460x230	
Coco-38x19x9	Matt	B-381909M	950x460x230	

**Luna**  
B-3118



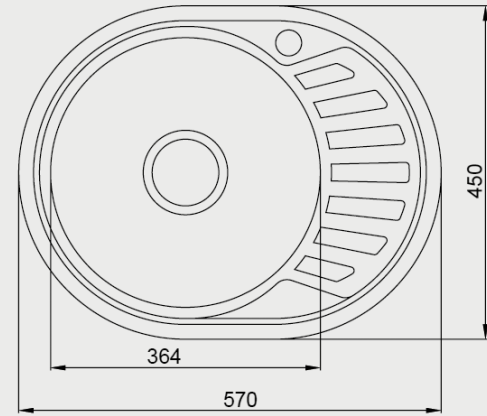
Model Name	Finish	CAT ID	Overall Size(LxWxD)mm	Bowl Size (AxB)	MRP
Luna-31x18x9	Brush	B-311809	775x455x230		
Luna-31x18x9	Matt	B-311809M	775x455x230		

**Bela**  
B-3318



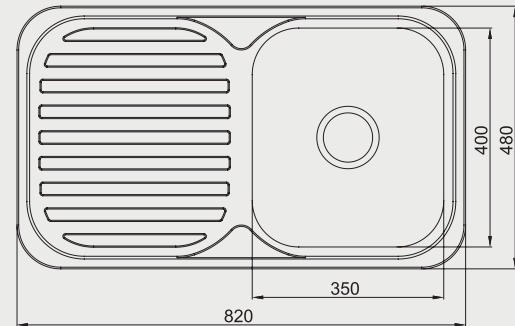
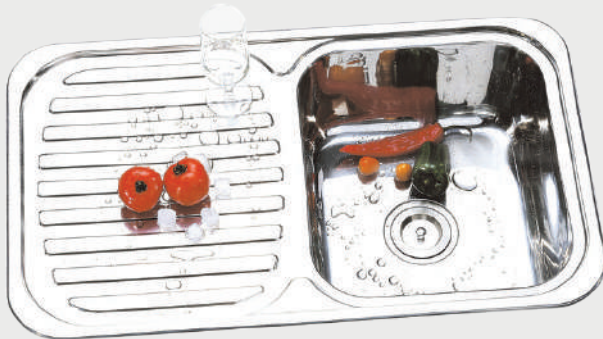
Model Name	Finish	CAT ID	Overall Size(LxWxD)mm	Bowl Size (AxB)	MRP
Bela-33x18x9	Brush	B-331809	810x430x230		
Bela-33x18x9	Matt	B-331809M	810x430x230		

**Berri**  
B-2318



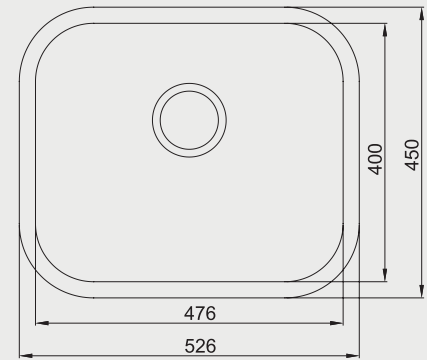
Model Name	Finish	CAT ID	Overall Size (LxWxD)mm		MRP
Berri-23x18x9	Brush	B-231809	570x450x230		
Berri-23x18x9	Matt	B-231809M	570x450x230		

**Hawk**  
B-8298



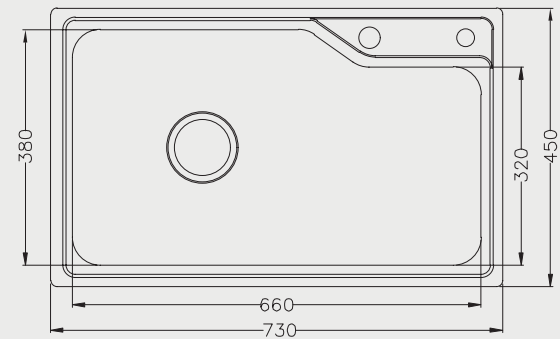
Model Name	Finish	CAT ID	Overall Size (LxWxD)mm		MRP
Hawk-33x20x08	Matt	B-332008	820x480x210		

**Paco**  
B-5245



Model Name	Finish	CAT ID	Overall Size (LxWxD)mm	Bowl Size (AxB)	MRP
Paco-21x18x08	Matt	B-212808	526x450x210		

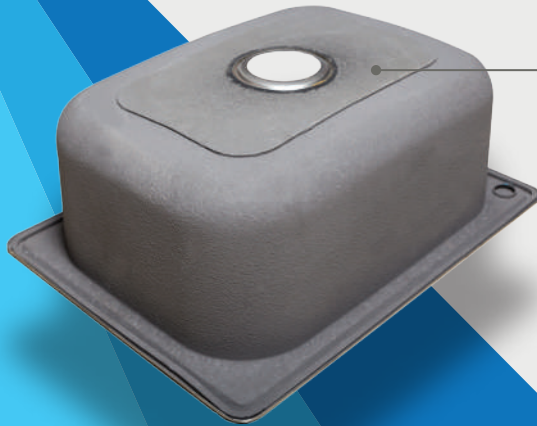
**Merlin**  
B-5308



Model Name	Finish	CAT ID	Overall Size (LxWxD)mm	Bowl Size (AxB)	MRP
Merlin-30x18x08	Matt	B-301808	730x450x210		

## THE QUIETEST SINK ON THE MARKET

Featuring NoiseDefend Soundproofing Technology



Extra-Thick Rubber Sound-Dampening Pads  
Cover 80% of Sink Base



**NEW SOUND BARRIER TECHNOLOGY**

Innovative foil layer enhances sound-deadening properties & improves insulation



**ABSORBS VIBRATION**

and sound from sink use



**MINIMIZES NOISE**

from waste disposal

No-Toxic Protective Undercoating



**THERMAL REGULATION**

and enhanced soundproofing



**PREVENTS CONDENSATION**

that can damage kitchen cabinets

## HANDMADE STAINLESS STEEL SINKS

Modern Design with Versatile Style

Premium T-304 Stainless  
Steel Construction

Durable 16-Gauge Steel

Scratch-Resistant  
Commercial Grade Finish

Standard 3.5" Rear Set Drain

Rounded Corners For Easy Cleaning





**INDIA OFFICE**

9437/10, 1st Floor, Multani Dhanda, Paharganj, New Delhi - 110055, India  
Mobile : +91 9899271892, Email : india@bencardo.com

**NEPAL OFFICE**

4th Floor, Divine Complex, Kalimati Chowk, Kalimati, Kathmandu, Nepal  
Call/Whatsapp : +977 9801115862, +977 9802031373, Email : sales@bencardo.com

**CHINA OFFICE**

Room No 1610, Yucuiting Appartment building  
Dongjianshiji Plaza, Jihua Road, Foshan City, China  
Mobile : +86 13302397760, +86 13416219401, Email : china@bencardo.com

**HONGKONG OFFICE**

Singhanian Overseas Limited, Goldfeldind Building, Tailia Pai Road, Tsuen Wan Nt, Hongkong  
Mobile : +86 13302397760, Email : sales1@bencardo.com

AUTHORIZED PARTNER